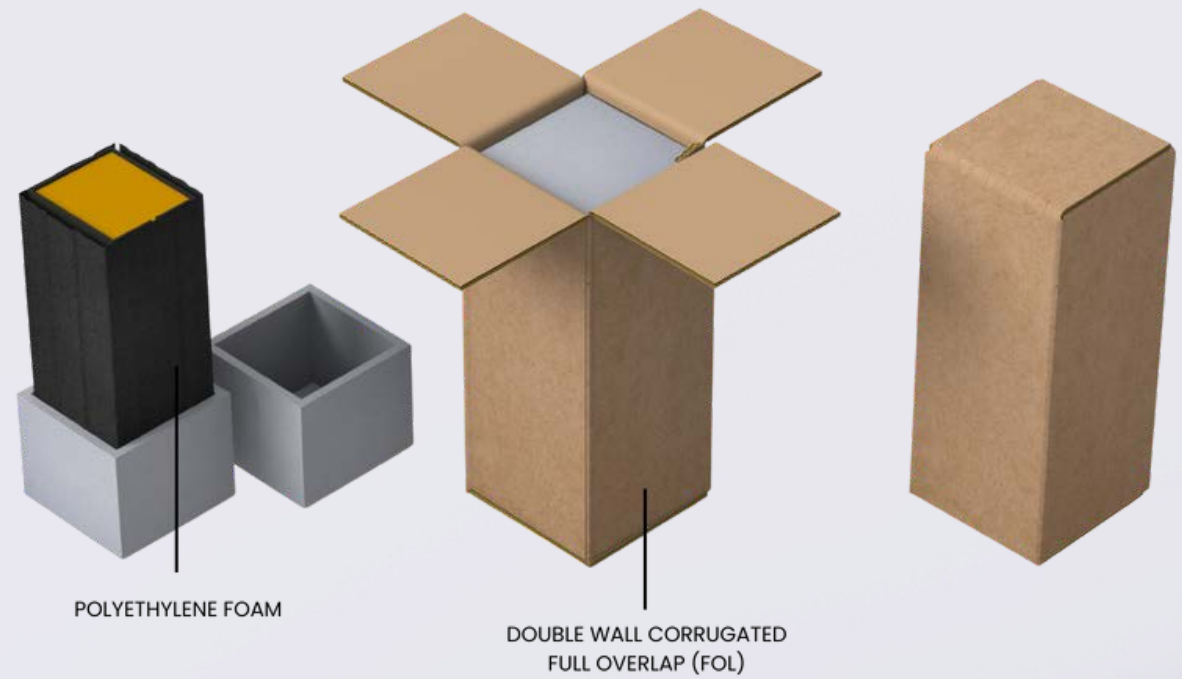


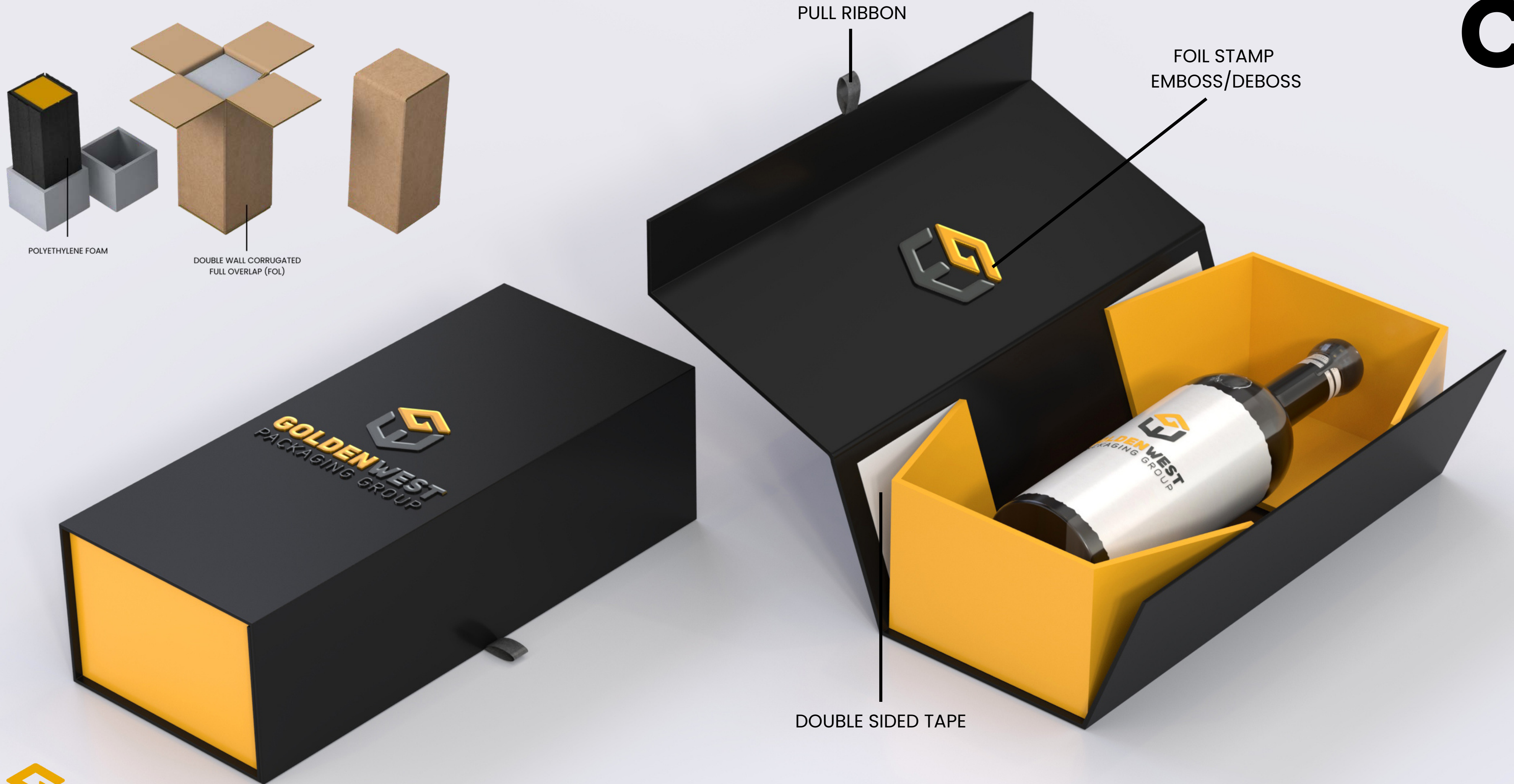
A



1 Bottle Rigid Book Style w/ Magnetic Flap

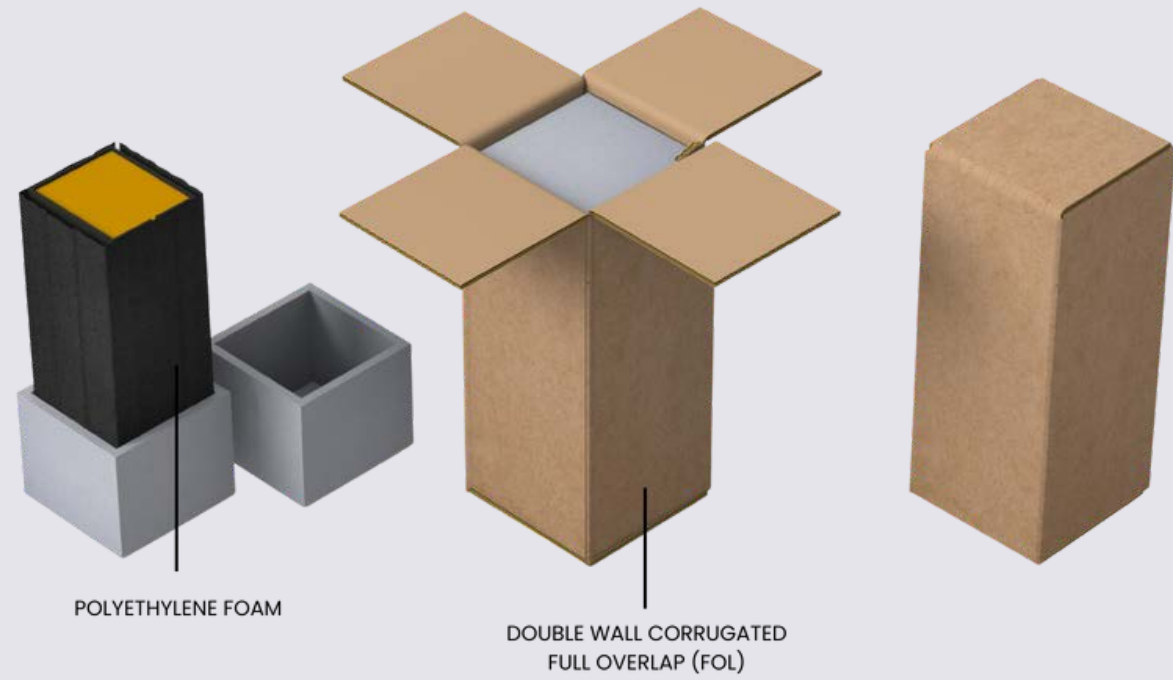


1 Bottle Rigid Telescoping w/ Reveal

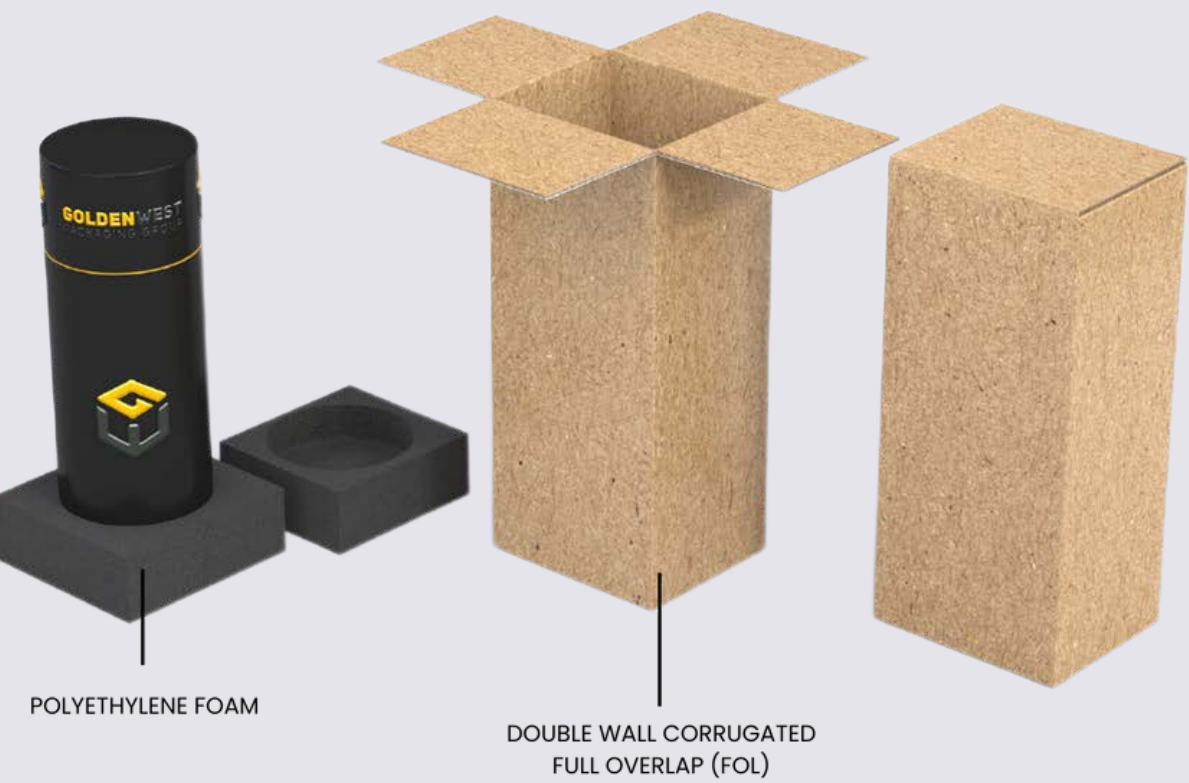


1 Bottle Rigid Book Style Collapsible w/ Magnets

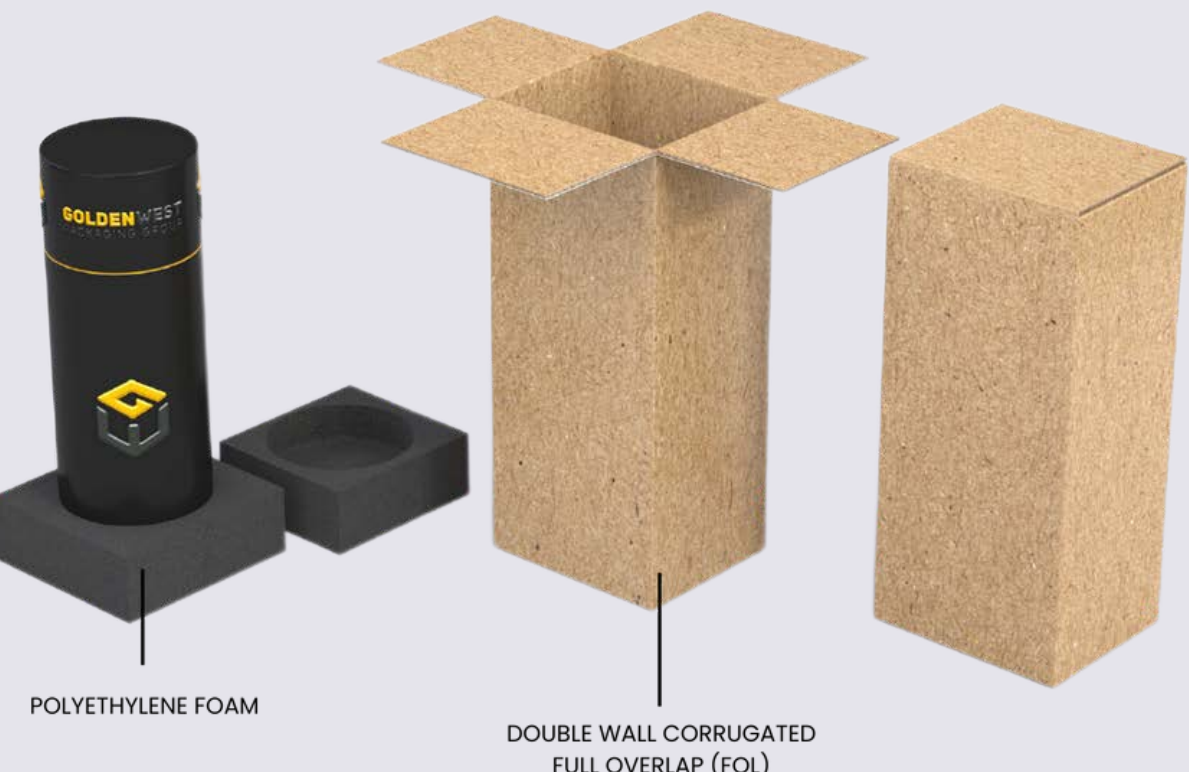




1 Bottle Rigid Box Pedestal



1 Bottle Rigid Tube Telescoping



FOIL STAMP
EMBOSS/DEBOSS

PULL RIBBON



EVA FOAM



1 Bottle Rigid Cylinder Wardrobe



POLYETHYLENE FOAM

DOUBLE WALL CORRUGATED
FULL OVERLAP (FOL)



FOIL STAMP
EMBOSS/DEBOSS

EVA FOAM



1 Bottle Rigid 3 Piece Telescoping Tube



POLYETHYLENE FOAM

DOUBLE WALL CORRUGATED
FULL OVERLAP (FOL)

FOIL STAMP
EMBOSS/DEBOSS

CORRUGATED
TRAY + INSERTS



2 Bottle Rigid Telescoping w/ Reveal



FOIL STAMP
EMBOSS/DEBOSS

RIGID LID

POLYETHYLENE FOAM

DOUBLE WALL CORRUGATED
FULL OVERLAP (FOL)

CORRUGATED
INSERTS

CORRUGATED
TRAY



2 Bottle Telescoping – Rigid Lid Corrugated Base



POLYETHYLENE FOAM

DOUBLE WALL CORRUGATED
FULL OVERLAP (FOL)

PULL RIBBON

FOIL STAMP
EMBOSS/DEBOSS

CORRUGATED
TRAY + INSERTS



3 Bottle Rigid Book Style w/ Corrugated Inserts



3 Bottle Rigid Telescoping Corrugated Inserts w/ Reveal





PULL RIBBON

FOIL STAMP
EMBOSS/DEBOSS

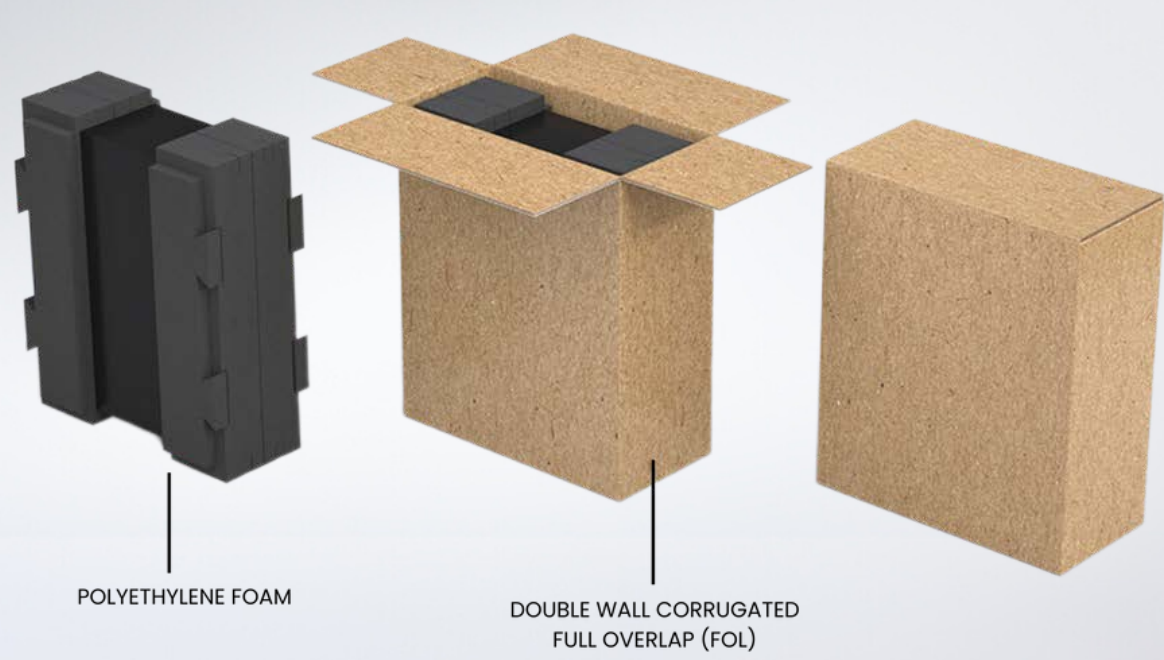
EVA FOAM

POLYETHYLENE FOAM

DOUBLE WALL CORRUGATED
FULL OVERLAP (FOL)



3 Bottle Rigid Book Style w/ Foam Inserts



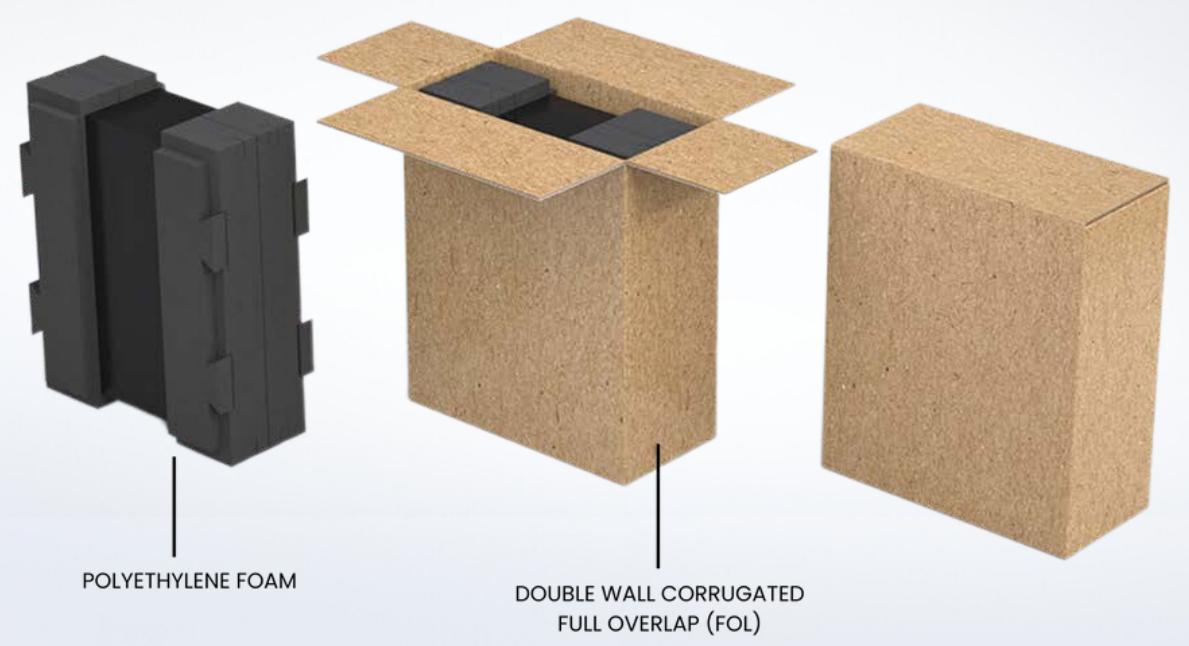
FOIL STAMP
EMBOSS/DEBOSS



EVA FOAM



3 Bottle Rigid Telescoping w/ Reveal and Foam Inserts



3 Bottle Rigid Hinged Lid w/ Reveal and Foam Inserts



POLYETHYLENE FOAM

DOUBLE WALL CORRUGATED
FULL OVERLAP (FOL)

PULL RIBBON

PULL RIBBON

EVA FOAM

FOIL STAMP
EMBOSS/DEBOSS

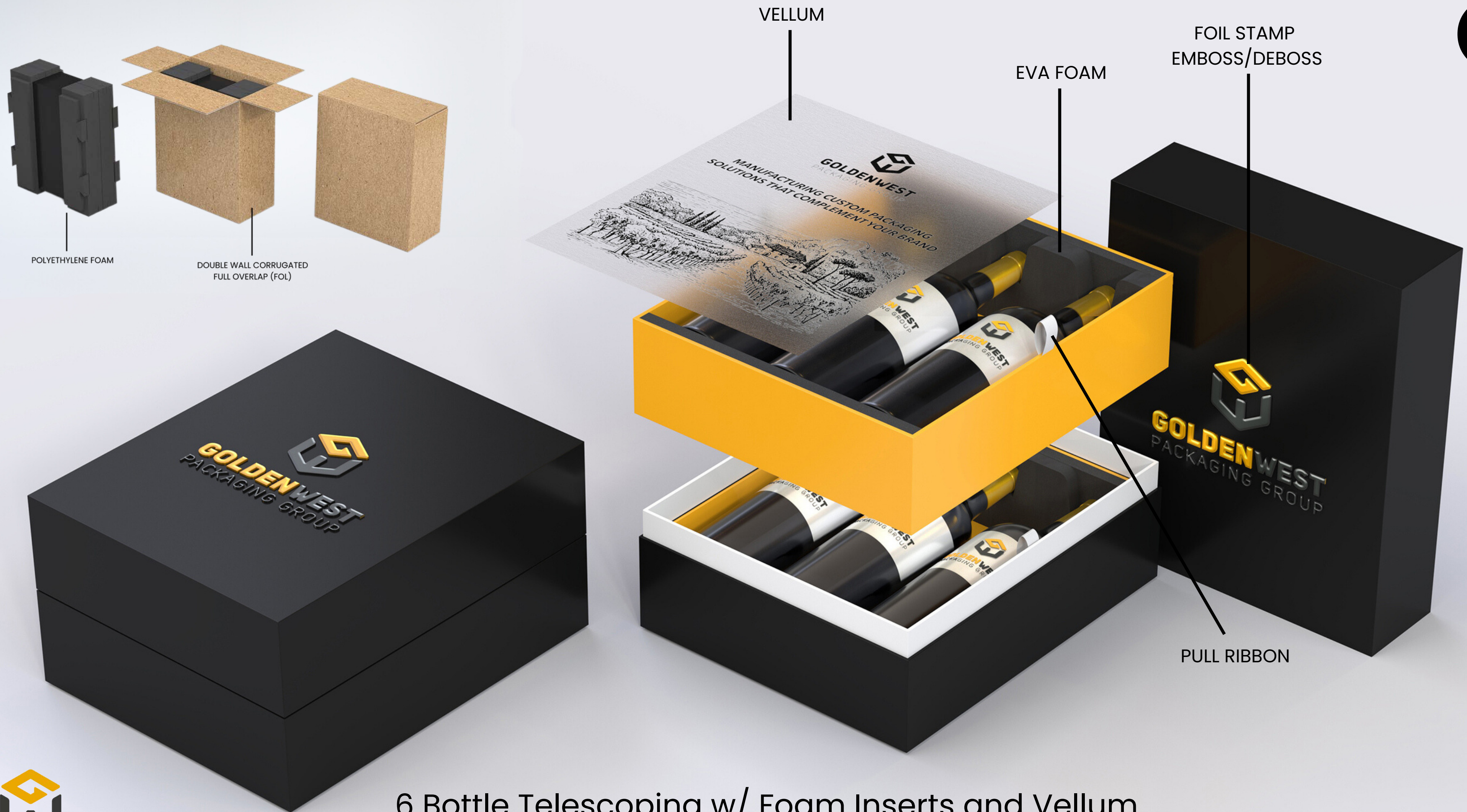


6 Bottle Rigid Book Style w/ Foam Inserts



6 Bottle Rigid Book Style w/ Corrugated Inserts





POLYETHYLENE FOAM

DOUBLE WALL CORRUGATED
FULL OVERLAP (FOL)

VELLUM

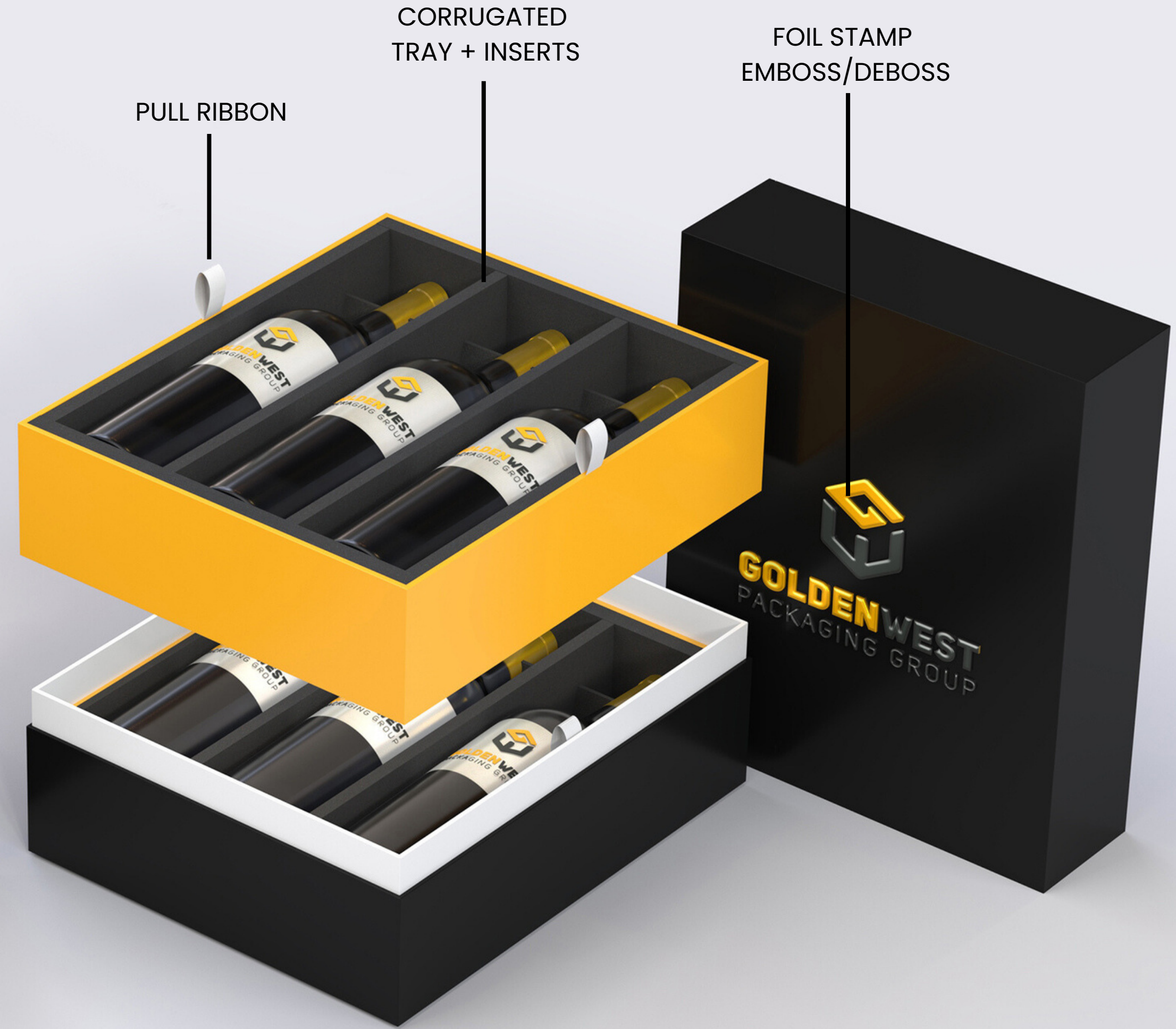
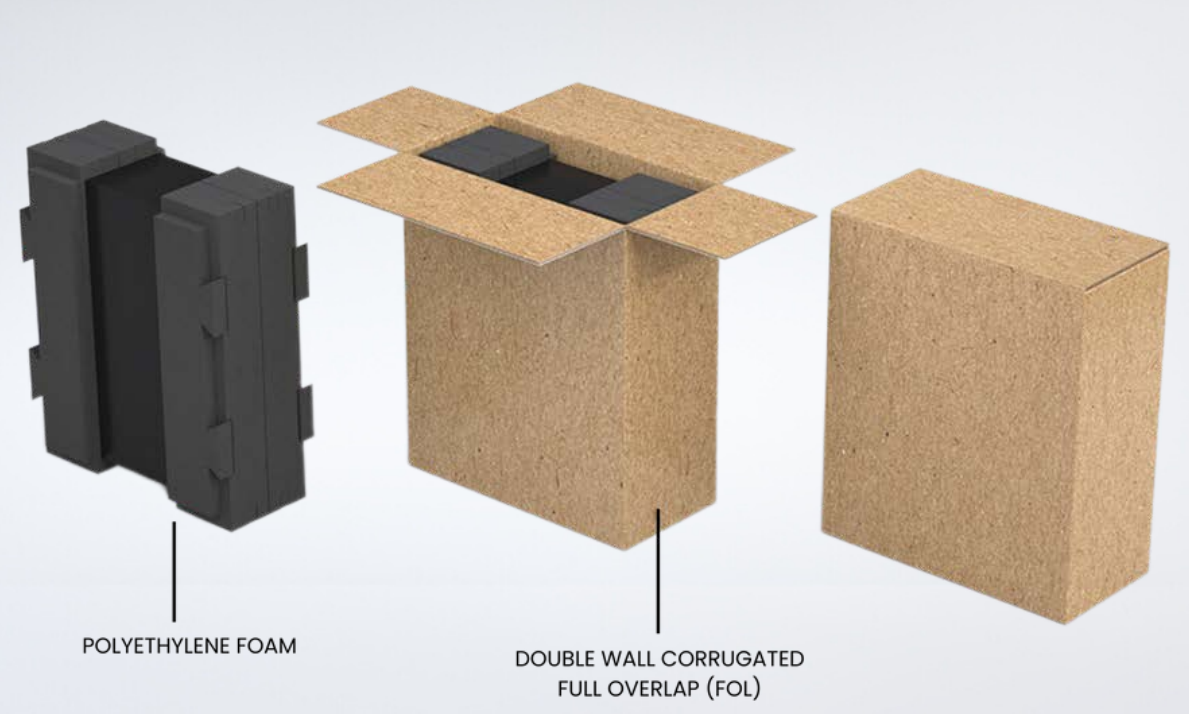
EVA FOAM

FOIL STAMP
EMBOSS/DEBOSS

PULL RIBBON



6 Bottle Telescoping w/ Foam Inserts and Vellum



6 Bottle Rigid Telescoping w/ Corrugated Inserts

